



Arena

Latest generation distributor that allows the sale of products in total safety even with a high face value, thanks to the robotic system and the touchscreen panel, allowing the display of all the data related to the objects offered for sale, with the addition of images, descriptions and video.

It is suitable for the sale of any product, in particular technological objects such as smartphones, tablets, cartridges for printers, watches, accessories for computers, cameras, video games and clothing.



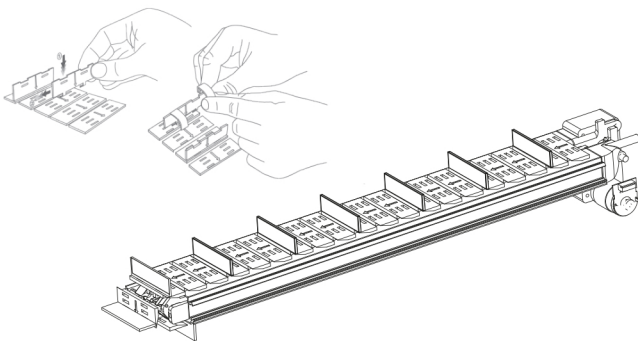
Arena has **9 lines** on every floor with up to 8 floors.

The kiosk has a 22"HD touch display with 1920x1080 pixel resolution: this screen provides a full products menu with product description, pictures and promotional video.

LOADING SYSTEM

It has maximum adaptability to distribute all types of products, with this unique system can be paired more than one lane that will automatically distribute products of different sizes. The system also has interlocking partitions to separate products that are next to one another. This allow complete control of specific lanes so you may dispense products of different sizes.

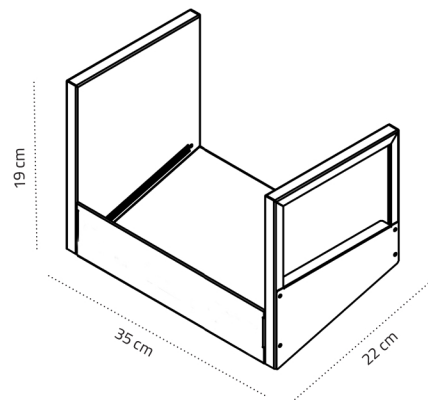
It also has a self-diagnosis system that will check the operating status of the lane prior to any disbursement of the product.



SHUTTLE DELIVERY SYSTEM

Product is delivered in the console area by a shuttle that does not manipulate or capsize the items, thus allowing the sale of even very delicate products such as technological objects, food, etc.

The dimensions of the shuttle allow to dispense rather large products like tablets, notebooks, take-away salads and many more.



Ed. 01|2021



Arena



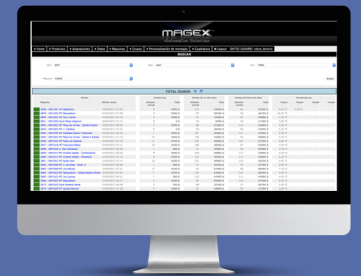
ARENA IS EQUIPPED WITH A SHUTTLE CONTROLLED BY A ROBOTIC SYSTEM.

Width	137 cm
Depth	96 cm
Height	217 cm
Weight (approx.)	350 Kg
Maximum number of floors	8
Selection on every floor	9
Type of lighting	High luminosity LED (30 W)
Voltage supply	240V/50Hz 110V/60Hz
Internal Temperature	0/18°C
Power consumption	600 W

REAL TIME DATA SERVICE

Nesty provides to all its customers a service for the management of the vending machines updated in real time, connected via web and accessible from laptops, mobile phones etc.

This allows you to view real-time data of each sale, the stock status, the coins/banknotes inserted or returned, automatic reboots and other functions. It also monitors the temperature inside the machine with graphics.



TECHNICAL SPECIFICATIONS

- Reinforced retrieval area
- Shatter proof resistant glass
- Console with independent opening
- Industrial computer with quad core
- Operating system installed with a SSD 32Gb disc
- LED lighting
- Modular configuration of shelves in height, depth and number of selections
- Console locks isolated
- Self diagnostic system
- Electronic multi-control
- Data management and statistics system available in real time
- Temperature control
- 22" touch screen monitor with 1920x1080 pixels resolution (optional 10" monitor).